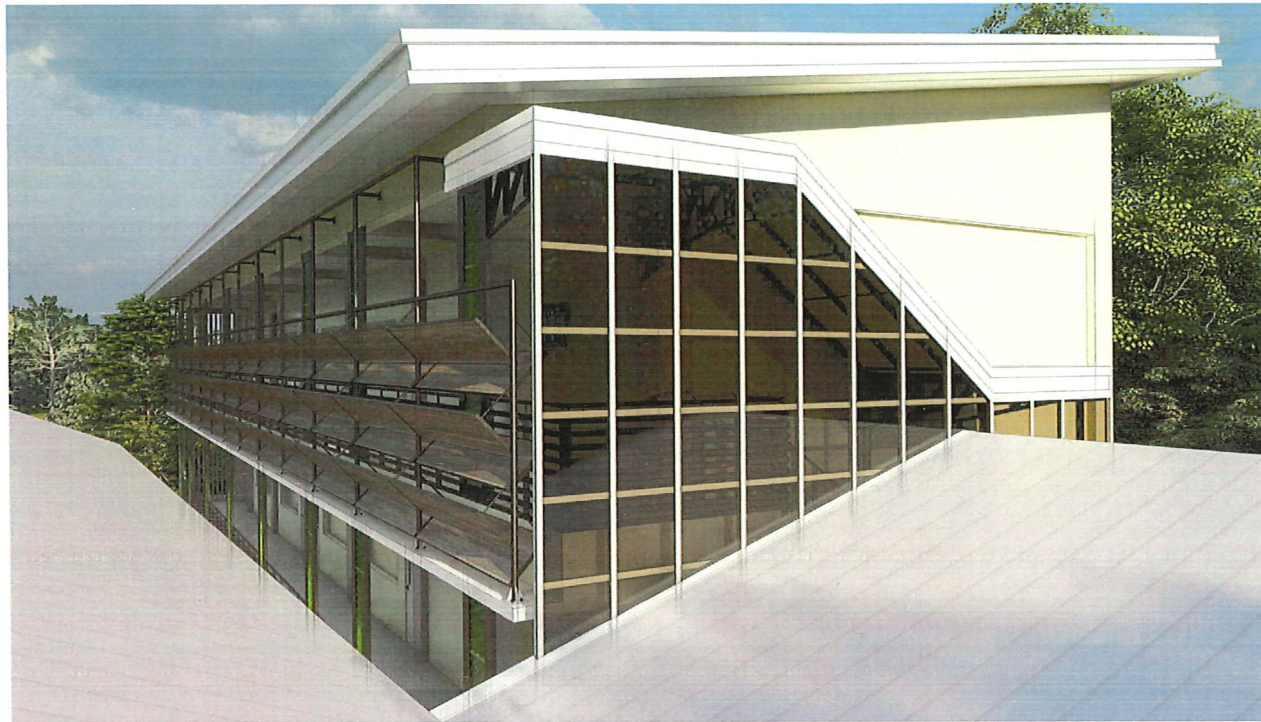
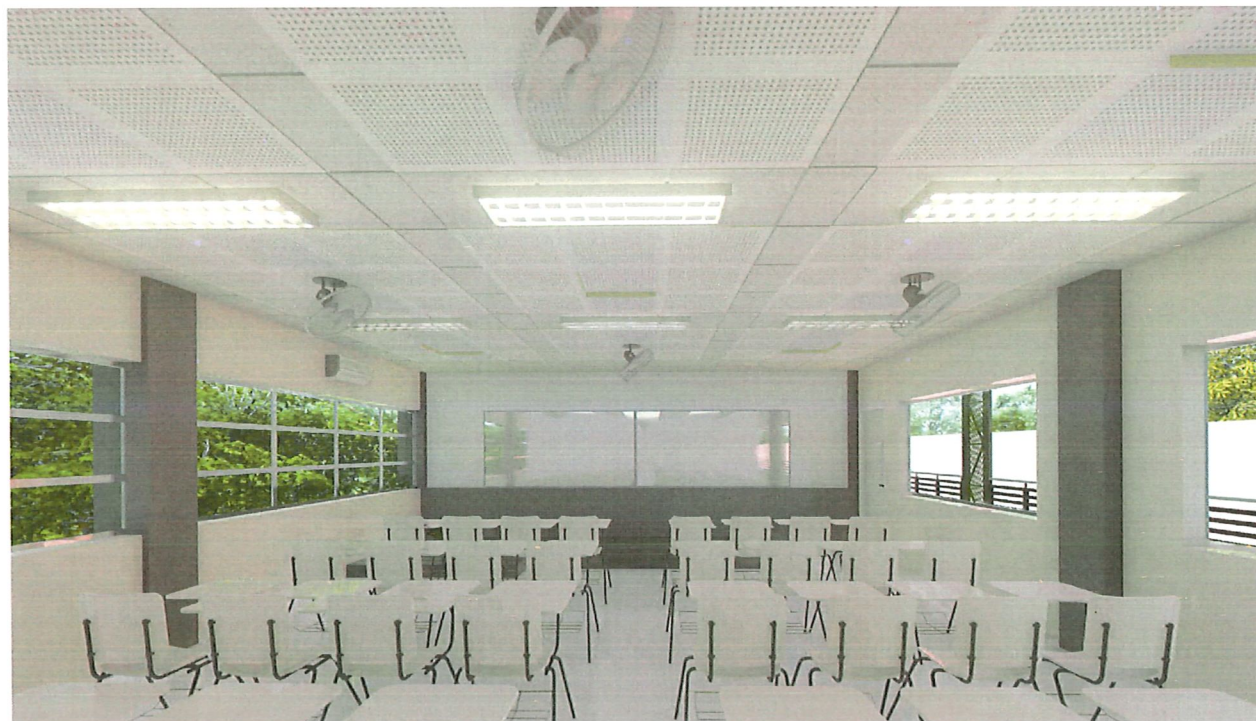


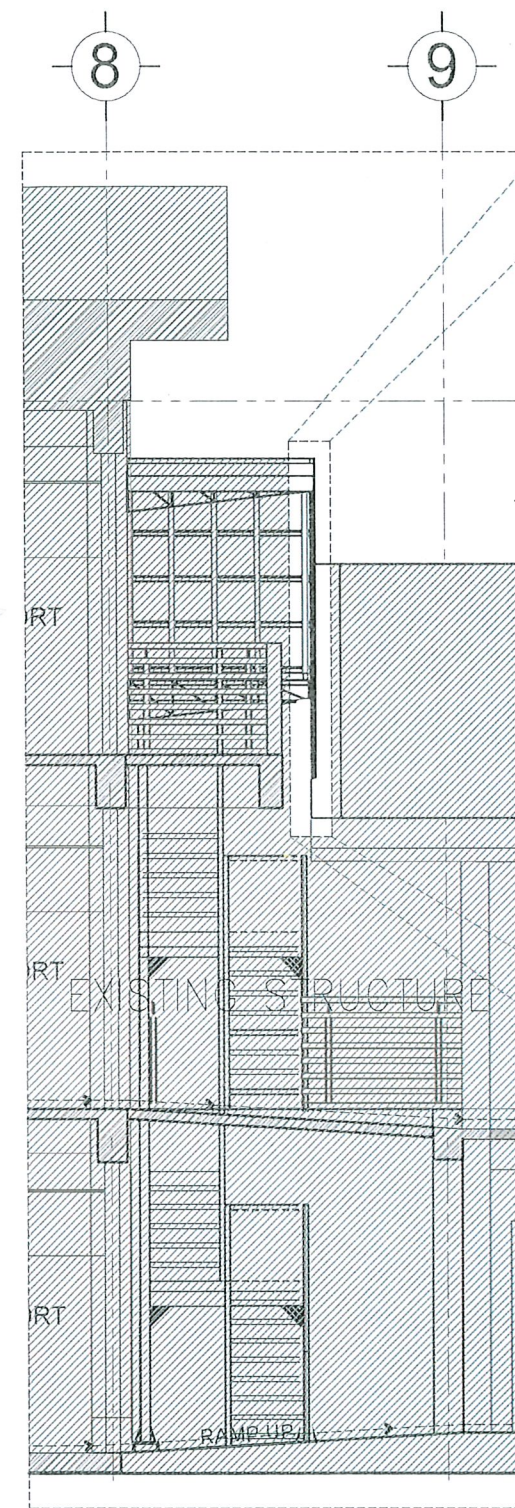
ADDITIONAL STAIR COVER



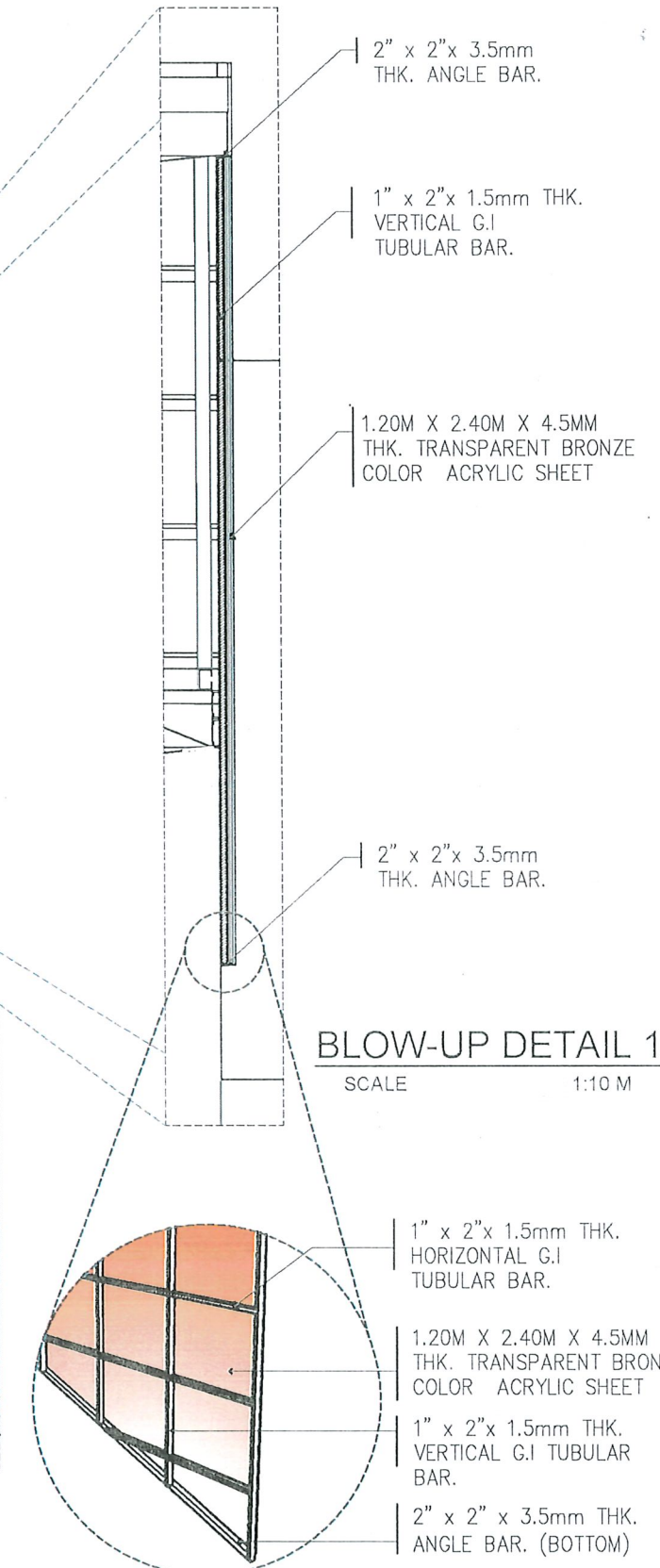
STAIR SIDE COVER PERSPECTIVE



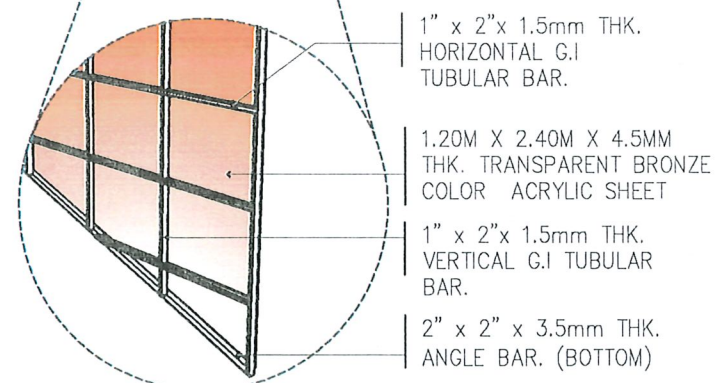
TYPICAL CLASSROOM PERSPECTIVE



BAY SECTION C
SCALE 1:75 M



BLOW-UP DETAIL 1
SCALE 1:10 M

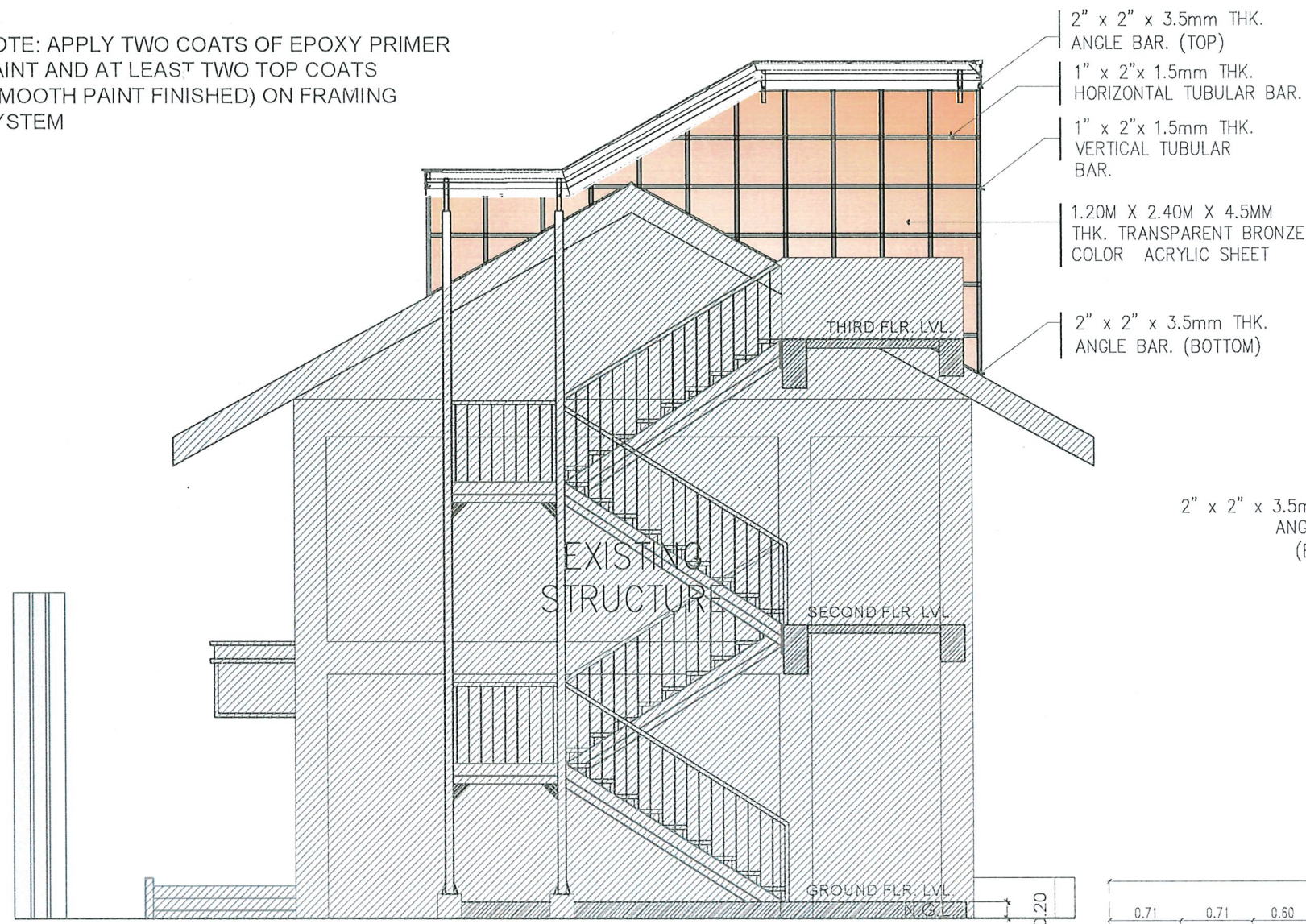


BLOW-UP DETAIL 2
SCALE NTS



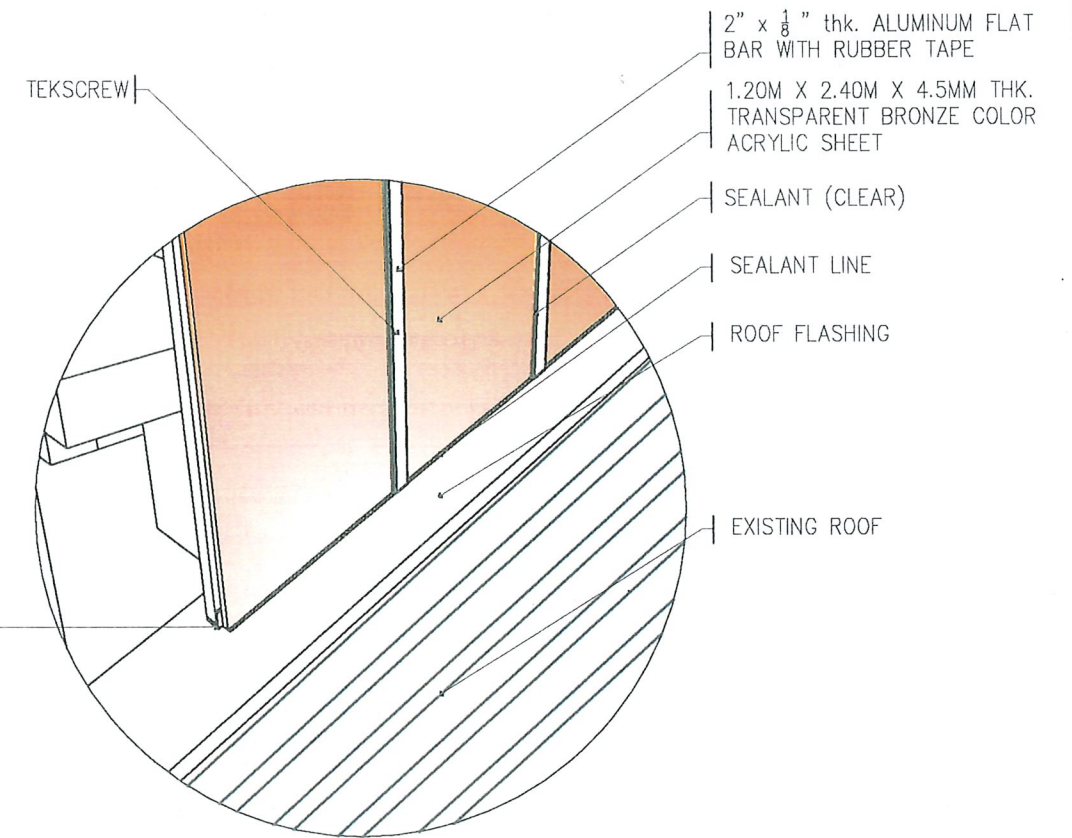
PROJECT TITLE: COMPLETION OF TLE BUILDING	REQUESTING OFFICE:	PREPARED BY: <i>John Raven S. Victoria</i> AR. JOHN RAVEN S. VICTORIA ARCHITECT, FDMO	CHECKED BY: <i>Ar Arlen M. Guieb</i> AR. ARLEN M. GUIEB PLANNING UNIT HEAD, FDMO	CERTIFIED BY: <i>Cherry L. Fabianes</i> AR. CHERRY L. FABIANES DIRECTOR, FDMO	RECOMMENDING APPROVAL: <i>Dr. Grace N. Rosete</i> DR. GRACE N. ROSETE VP FOR ADMINISTRATION	APPROVED: <i>Dr. Arnold E. Velasco</i> DR. ARNOLD E. VELASCO PRESIDENT	SHEET CONTENTS: AS SHOWN	SHEET NO.: A-01
PROJECT LOCATION: LUCINDA EXTENSION CAMPUS, TARLAC STATE UNIVERSITY	DR. JASPER JAY D. MENDOZA DEAN, CTED						DATE: OCTOBER 2022	PAGE NO.: 01/07

NOTE: APPLY TWO COATS OF EPOXY PRIMER PAINT AND AT LEAST TWO TOP COATS (SMOOTH PAINT FINISHED) ON FRAMING SYSTEM



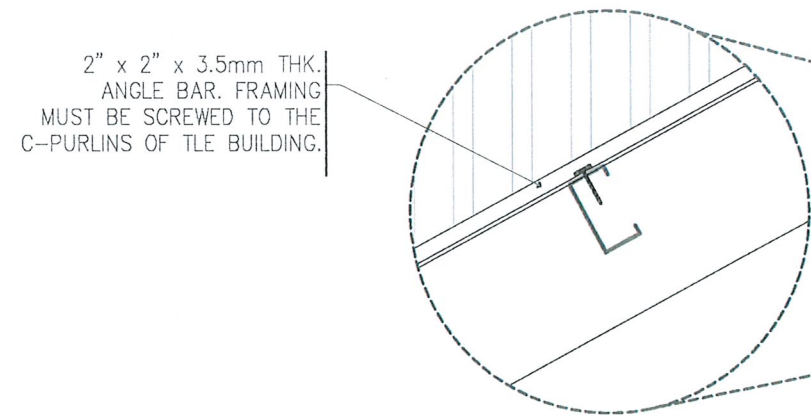
RIGHT SIDE ELEVATION

SCALE 1:150 M



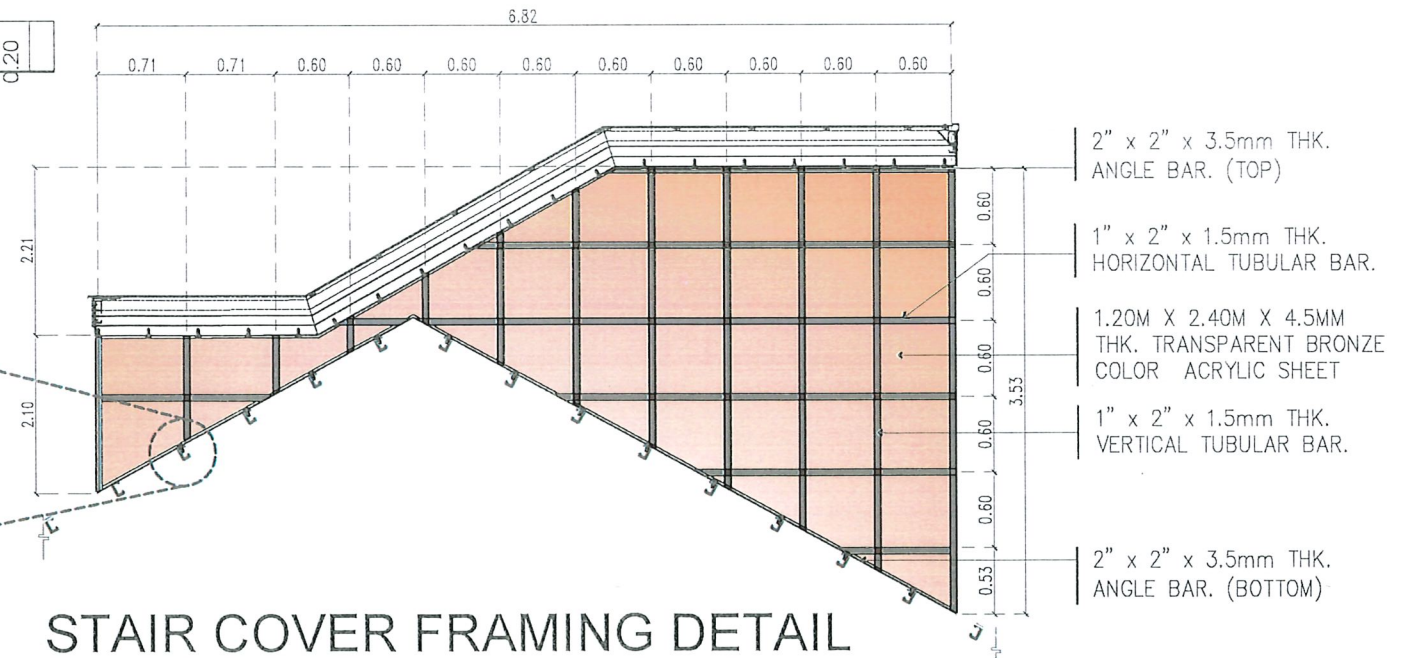
STAIR COVER CONNECTION DETAIL

SCALE: NTS



BLOW-UP DETAIL 3

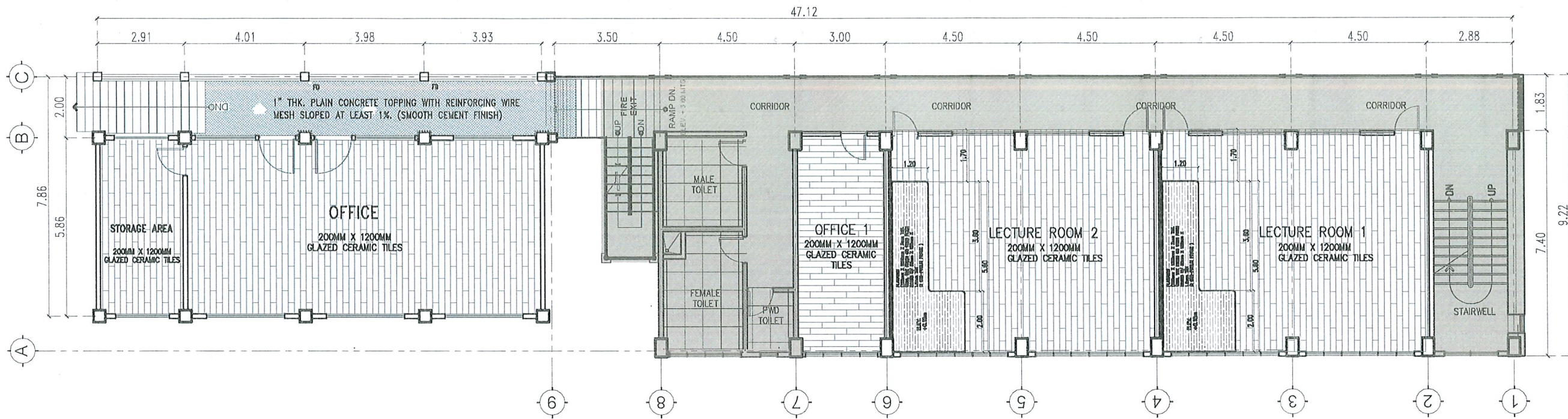
SCALE 1:10 M



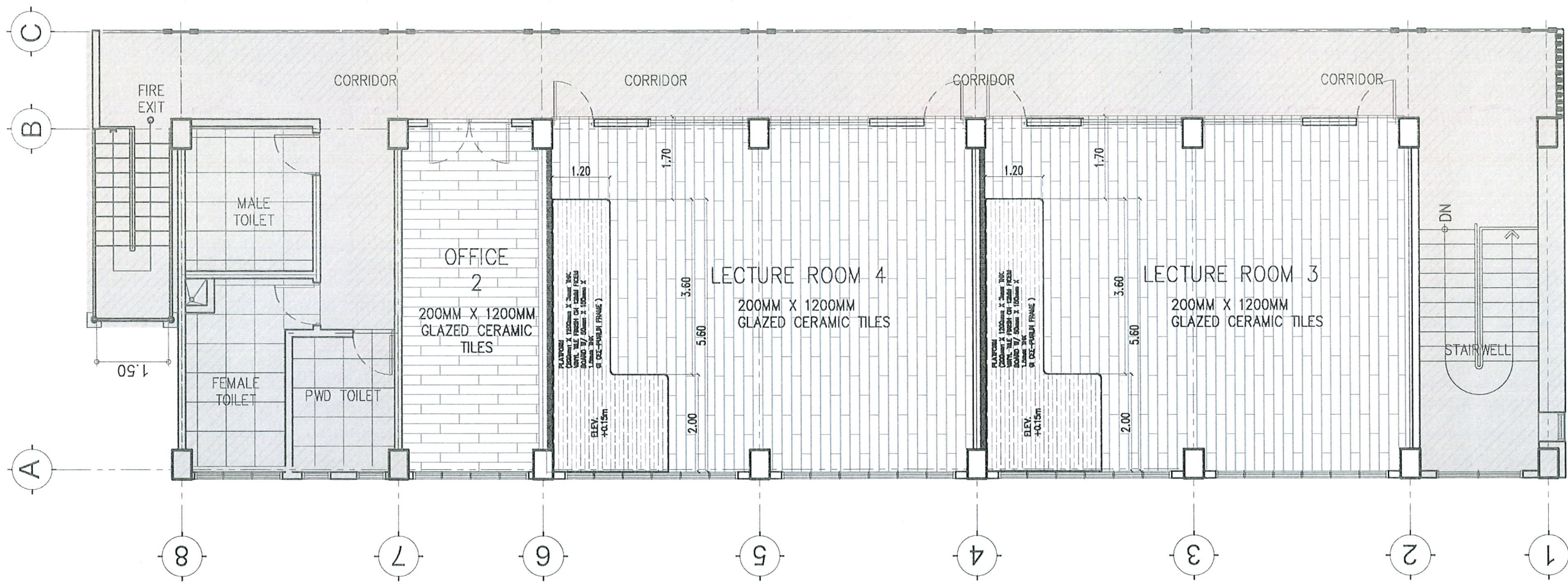
STAIR COVER FRAMING DETAIL

SCALE 1:75 M

 TARLAC STATE UNIVERSITY Facilities Development and Management Office Romulo Boulevard, Tarlac City, Philippines 2300	PROJECT TITLE:	REQUESTING OFFICE:	PREPARED BY:	CHECKED BY:	CERTIFIED BY:	RECOMMENDING APPROVAL:	APPROVED:	SHEET CONTENTS:	SHEET NO.:	
	COMPLETION OF TLE BUILDING		DR. JASPER JAY M. MENDOZA DEAN, CTED	AR. JOHN RAVENS, VICTORIA ARCHITECT, FDMO	AR. ARLEN M. GUIEB PLANNING UNIT HEAD, FDMO	AR. CHERRY L. FABIANES DIRECTOR, FDMO	DR. GRACE N. ROSETE VP FOR ADMINISTRATION	DR. ARNOLD E. VELASCO RESIDENT	AS SHOWN	A-02
	PROJECT LOCATION:		LUCINDA EXTENSION CAMPUS, TARLAC STATE UNIVERSITY						DATE: OCTOBER 2022	PAGE NO: 02/07



SECOND FLOOR TILE PATTERN
SCALE 1:150 M

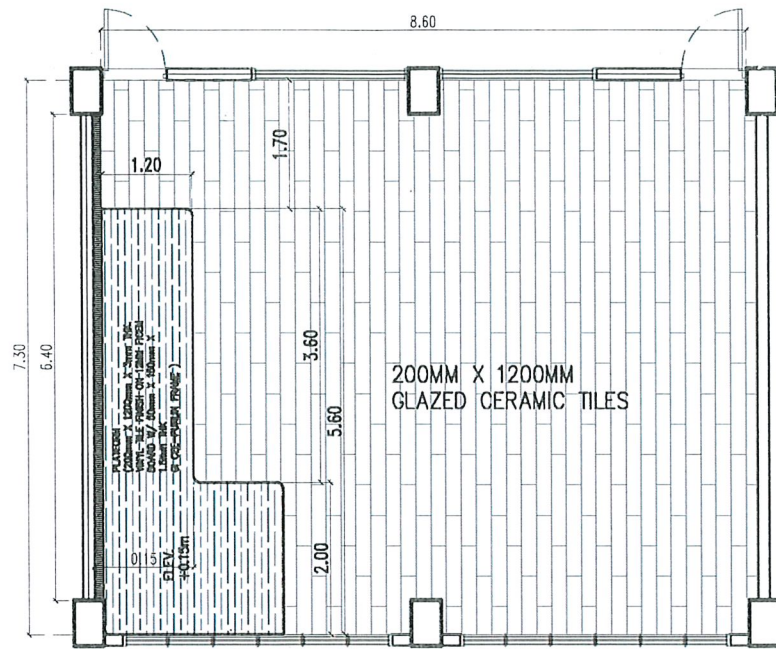


THIRD FLOOR TILE PATTERN
SCALE 1:100 M

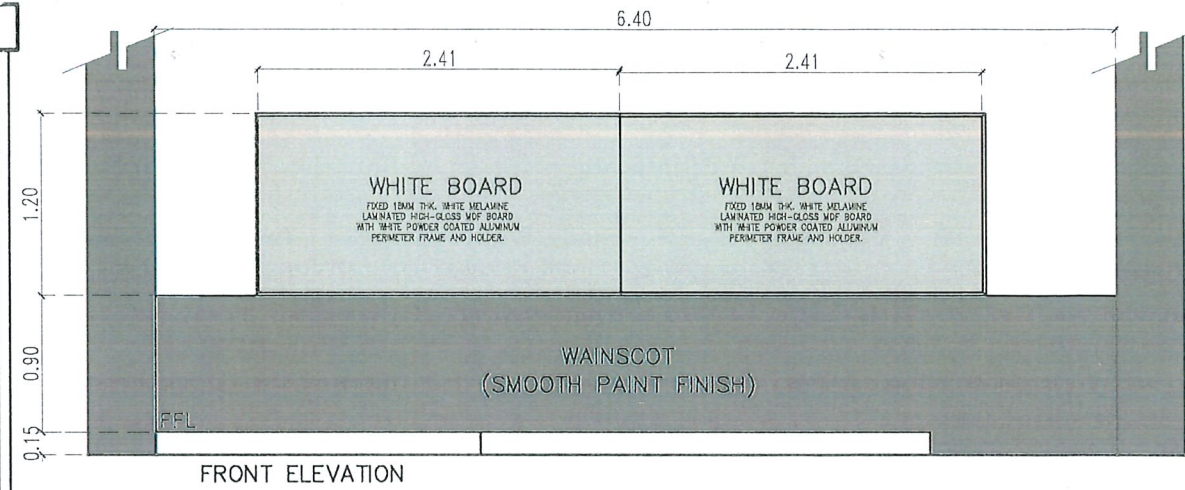


PROJECT TITLE:	COMPLETION OF TLE BUILDING	REQUESTING OFFICE:	DR. JASPER JAY S. MENDOZA DEAN, CTED	PREPARED BY:	AR. JOHN RAVEN S. VICTORIA ARCHITECT, FDMO	CHECKED BY:	AR. ARLEN M. GUIEB PLANNING UNIT HEAD, FDMO	CERTIFIED BY:	AR. CHERRY L. FABIANES DIRECTOR, FDMO	RECOMMENDING APPROVAL:	DR. GRACEN N. ROSETE VP FOR ADMINISTRATION	APPROVED:	DR. ARNOLD E. VELASCO PRESIDENT	SHEET CONTENTS:	AS SHOWN	SHEET NO.:	A-03
PROJECT LOCATION:	LUCINDA EXTENSION CAMPUS, TARLAC STATE UNIVERSITY													DATE: OCTOBER 2022	PAGE NO.:	03/07	

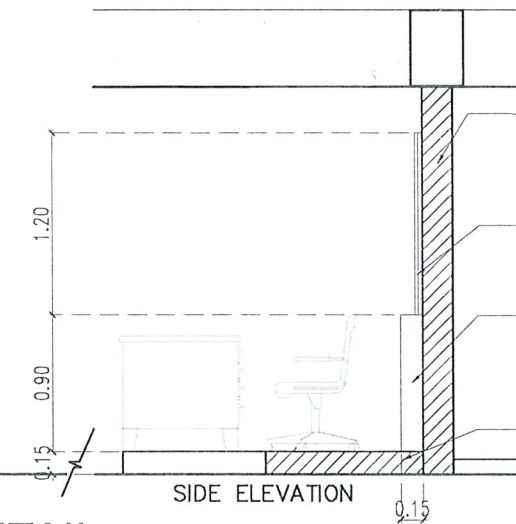
NOTE: PROVIDE WHITE BOARD SHOP DRAWING LAYOUT PER TYPICAL ROOM PRIOR TO EXECUTION.



TYPICAL CLASSROOM LAYOUT PLAN



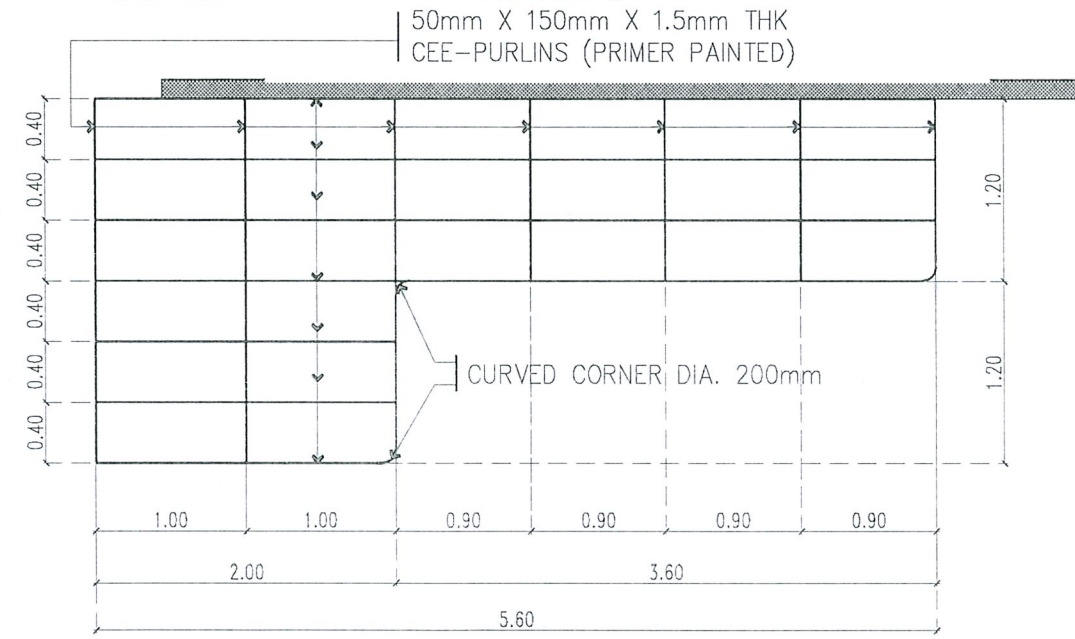
FRONT ELEVATION



SIDE ELEVATION

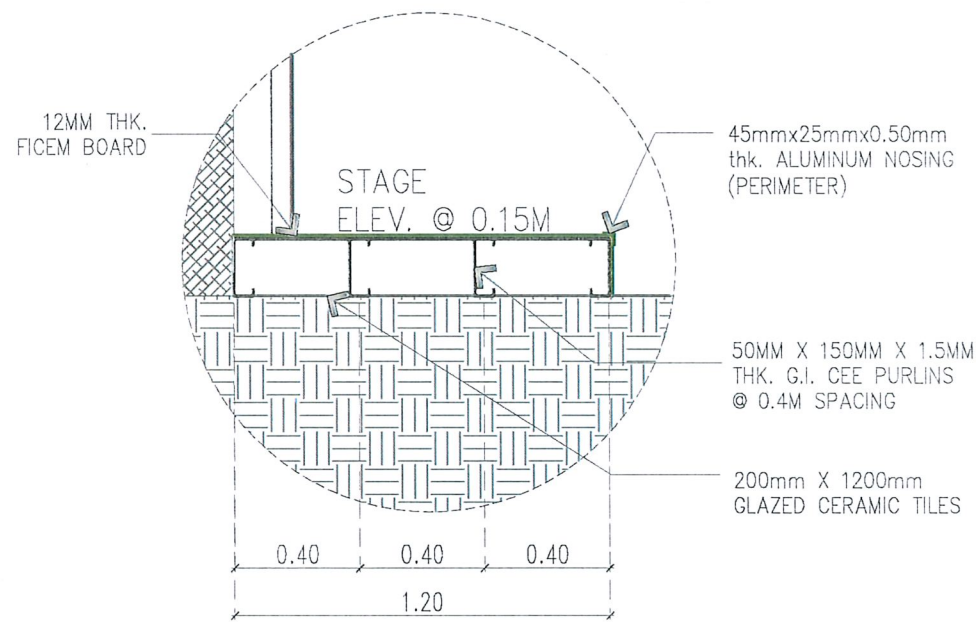
- EXISTING CHB WALL
- FIXED 18MM THK. WHITE MELAMINE LAMINATED HIGH-GLOSS MDF BOARD WITH WHITE POWDER COATED ALUMINUM PERIMETER FRAME AND HOLDER.
- WAINSCOT
9MM THK. FICEM BOARD W/ METAL STUD FRAMING (SMOOTH PAINT FINISH)
- PLATFORM
200mm X 1200mm X 3mm THK. VINYL TILE FINISH ON 12MM FICEM BOARD W/ 50mm X 150mm X 1.5mm THK C-PURLIN FRAME

BOARD BLOW-UP DETAIL
SCALE 1:50 MTS

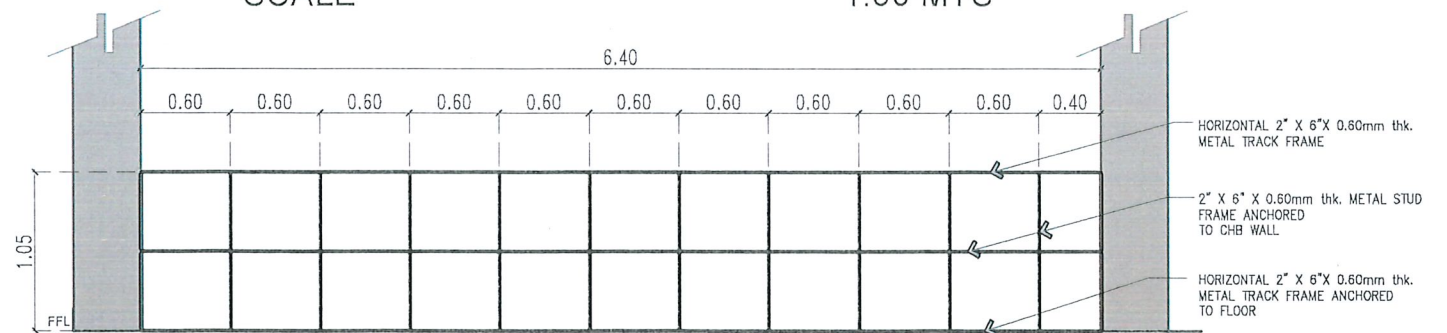


TYPICAL PLATFORM FRAMING PLAN
SCALE 1:50 MTS

NOTE: APPLY TWO COATS OF EPOXY PRIMER PAINT TO C-PURLINS FRAMING



PLATFORM SPOT DETAIL
SCALE 1:20 MTS



TYPICAL WAINSCOT FRAMING PLAN
SCALE 1:50 MTS



PROJECT TITLE:	COMPLETION OF TLE BUILDING	REQUESTING OFFICE:	LUCINDA EXTENSION CAMPUS, TARLAC STATE UNIVERSITY	PREPARED BY:	DR. JASPER JAY B. MENDOZA DEAN/CTD	CHECKED BY:	AR. JOHN RAVEN S. VICTORIA ARCHITECT, FDMO	CERTIFIED BY:	AR. ARLEN M. GUIEB PLANNING UNIT HEAD, FDMO	RECOMMENDING APPROVAL:	AR. CHERRY L. FABIANES DIRECTOR, FDMO	APPROVED:	DR. GRACE N. ROSETE VP FOR ADMINISTRATION	DR. ARNOLD E. VELASCO PRESIDENT	SHEET CONTENTS:	AS SHOWN	SHEET NO.:	A-04
PROJECT LOCATION:	LUCINDA EXTENSION CAMPUS, TARLAC STATE UNIVERSITY																PAGE NO.:	04/07
																	DATE:	OCTOBER 2022

ADDITIONAL SUN BAFFLES



EXTERIOR PERSPECTIVE







SECTIONAL PERSPECTIVE



INTERIOR PERSPECTIVE



INTERIOR PERSPECTIVE

  <p>TARLAC STATE UNIVERSITY Facilities Development and Management Office Romulo Boulevard, Tarlac City, Philippines 2300</p>	PROJECT TITLE:	REQUESTING OFFICE:	PREPARED BY:	CHECKED BY:	CERTIFIED BY:	RECOMMENDING APPROVAL:	APPROVED:	SHEET CONTENTS:	SHEET NO.:
	COMPLETION OF TLE BUILDING							AS SHOWN	A-05
	PROJECT LOCATION:	DR. JASPER JAYD MENDOZA DEAN, CTED	AR. ULYSES B. CALUYA ARCHITECT, FDMO	AR. ARLEN M. GUIEB PLANNING UNIT HEAD, FDMO	AR. CHERRY L. FABIANES DIRECTOR, FDMO	DR. GRACEN N. ROSETE VP FOR ADMINISTRATION	DR. ARNOLD E. VELASCO PRESIDENT	DATE: OCTOBER 2022	PAGE NO.:

16MM ϕ DRILLED HOLE 150MM DEPTH W/
HILTI-RE 500V3 INJECTABLE ADHESIVE
12MM THK. MS BASE PLATE
12MM THK. NON-SHRINK GROUT
2" ϕ G.I. PIPE S40 (BEAM)
4-12MM ϕ 150MM DEPTH
FULL THREADED BOLTS

PIPE-BEAM CONNECTION PLATE SPOT DETAIL

SCALE: 1:10 MTS

12" ϕ G.I. PIPE S40 (COLUMN)

12MM ϕ PLAIN ROUND BAR FULL
WELD ON 2" ϕ G.I. PIPE S40

2200MM X 150MM X 25MM THK. WOOD
PLASTIC COMPOSITE PANEL WITH 1" X 1"
X 3MM THK. STEEL ANGLE BAR FRAMING
FULL WELDED ON 2" ϕ G.I. PIPE S40

12MM ϕ PLAIN ROUND BAR FULL
WELD ON 2" ϕ G.I. PIPE S40

2200MM X 150MM X 25MM THK.
WOOD PLASTIC COMPOSITE PANEL
WITH 1" X 1" X 3MM THK. STEEL
ANGLE BAR FRAMING FULL WELDED
ON 2" ϕ G.I. PIPE S40

EXISTING LEDGE

2" ϕ G.I. PIPE S40 (COLUMN)
50MM X 100MM X 10MM THK.
MS STIFFENER PLATE
12MM THK. MS BASE PLATE
12MM THK. NON-SHRINK GROUT
16MM ϕ DRILLED HOLE W/ HILTI-RE
500V3 INJECTABLE ADHESIVE
12MM THK. NON-SHRINK GROUT
12MM THK. MS BASE PLATE
4-12MM ϕ FULL THREADED BOLTS

SUN BAFFLES SECTION DETAIL

SCALE 1:20 MTS

PIPE-COLUMN CONNECTION PLATE SPOT DETAIL

SCALE 1:10 MTS



TARLAC STATE UNIVERSITY
Facilities Development and
Management Office
Romulo Boulevard, Tarlac City, Philippines 2300

PROJECT TITLE:	COMPLETION OF TLE BUILDING	REQUESTING OFFICE:		PREPARED BY:		CHECKED BY:		CERTIFIED BY:		RECOMMENDING APPROVAL:		APPROVED:		SHEET CONTENTS:	SHEET NO:
PROJECT LOCATION:	LUCINDA EXTENSION CAMPUS, TARLAC STATE UNIVERSITY	DR. JASPER JAY N. MENDOZA DEAN, CTED	AR. ULYSSES B. CALUYA ARCHITECT, FDMO	AR. ARLEN M. GUIEB PLANNING UNIT HEAD, FDMO	AR. CHERRY L. FABIANES DIRECTOR, FDMO	DR. GRACE N. ROSETE VP FOR ADMINISTRATION	DR. ARNOLD E. VELASCO PRESIDENT	AS SHOWN	A-07						
														DATE: OCTOBER 2022	PAGE NO: 07/07